

### Main

Accessory / separate part category	Connection accessories
Accessory / separate part type	Tap junction
Accessory / separate part designation	T-junction box
Accessory / separate part destination	CANopen bus
Quantity per set	Set of 1

### Complementary

Range compatibility	Altivar 312 CANopen Altivar 32
Communication port protocol	CANopen
Electrical connection	2 connectors RJ45
Product weight	0.48 kg

### Environment

IP degree of protection	IP20
-------------------------	------

### Contractual warranty

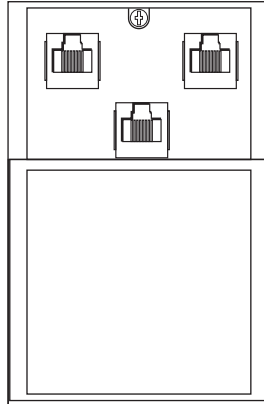
Period	18 months
--------	-----------

The information provided in this documentation contains general descriptions and/or technical characteristics of the performance of the products contained herein. This documentation is not intended as a substitute for and is not to be used for determining suitability or reliability of these products for specific user applications. It is the duty of any such user or integrator to perform the appropriate and complete risk analysis, evaluation and testing of the products with respect to the relevant specific application or use thereof. Neither Schneider Electric Industries SAS nor any of its affiliates or subsidiaries shall be responsible or liable for misuse of the information contained herein.



BBV5513001

## VW3CANTAP2



### **⚠ ⚠ DANGER**

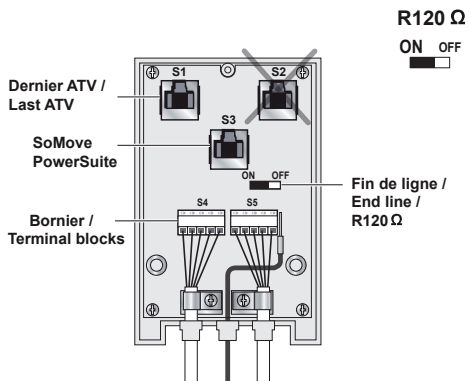
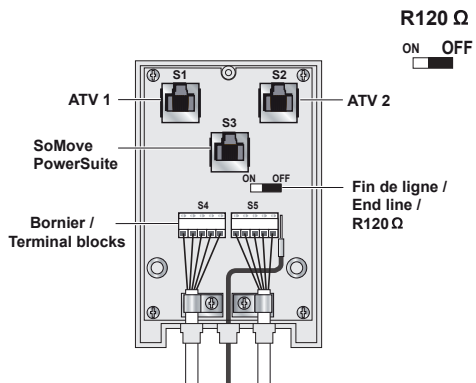
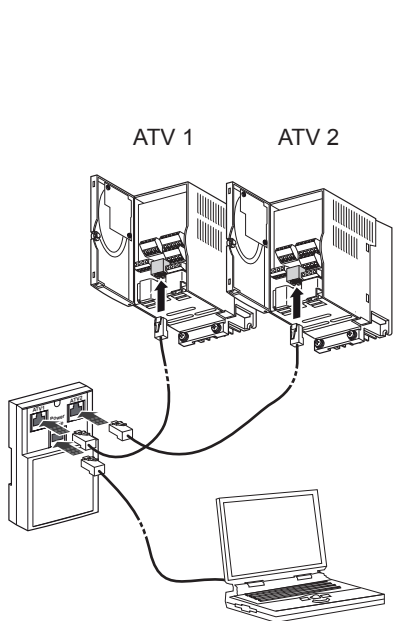
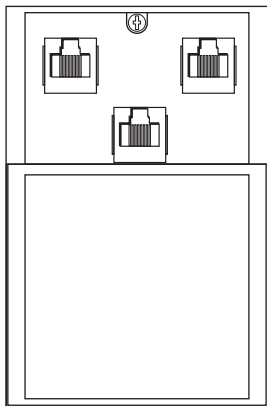
#### **HAZARD OF ELECTRIC SHOCK, EXPLOSION, OR ARC FLASH**

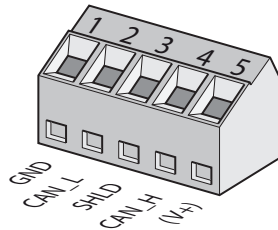
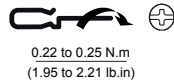
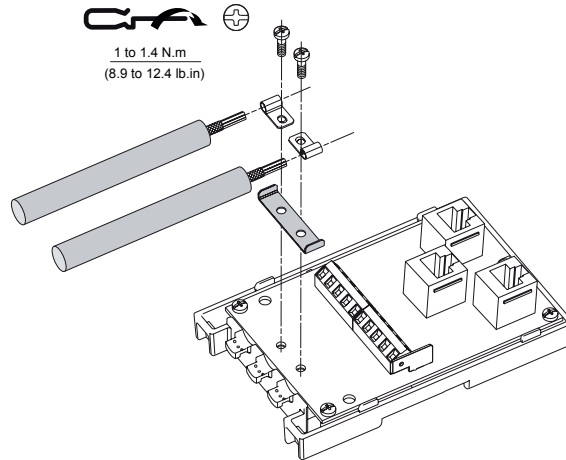
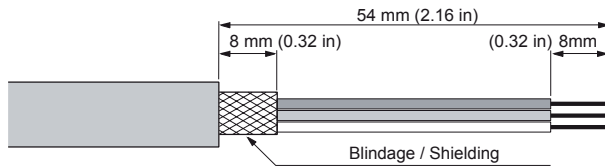
- Read and understand this manual and the manuals of the drive before installing this option.
- Installation must be performed by qualified personnel
- The user is responsible for compliance with all international and national electrical code requirements with respect to grounding of all equipment.
- Many parts of this drive, including the printed circuit boards, operate at the line voltage. **DO NOT TOUCH.** Use only electrically insulated tools.
- **DO NOT** touch unshielded components or terminal strip screw connections with voltage present.
- **DO NOT** short across terminals PA/+ and PC/- or across the DC bus capacitors.
- Before servicing the drive:
  - Disconnect all power, including external control power that may be present.
  - Place a "DO NOT TURN ON" label on all power disconnects.
  - Lock all power disconnects in the open position.
  - **WAIT 15 MINUTES** to allow the DC bus capacitors to discharge.
  - Measure the voltage of the DC bus between the PA/+ and PC/- terminals to ensure that the voltage is less than 42 Vdc.
  - If the DC bus capacitors do not discharge completely, contact your local Schneider Electric representative. Do not repair or operate the drive.
- Install and close all covers before applying power or starting and stopping the drive.

**Failure to follow these instructions will result in death or serious injury.**

Electrical equipment should be installed, operated, serviced, and maintained only by qualified personnel. No responsibility is assumed by Schneider Electric for any consequences arising out of the use of this product.

© 2010 Schneider Electric. All Rights Reserved.





Broche / Pin	Signal	Couleur de fil / Wire color	Description
1	GND	Noir / Black	Masse / Ground
2	CAN_L	Bleu / Blue	Polarité CAN_L / CAN_L bus line
3	SHLD	Blindage de câble nu / Bare cablesshield	Blindage en option / Optional shield
4	CAN_H	Blanc / White	Polarité CAN_H / CAN_H bus line
5	(V+)	Rouge / Red	Alimentation optionnelle / Optional supply